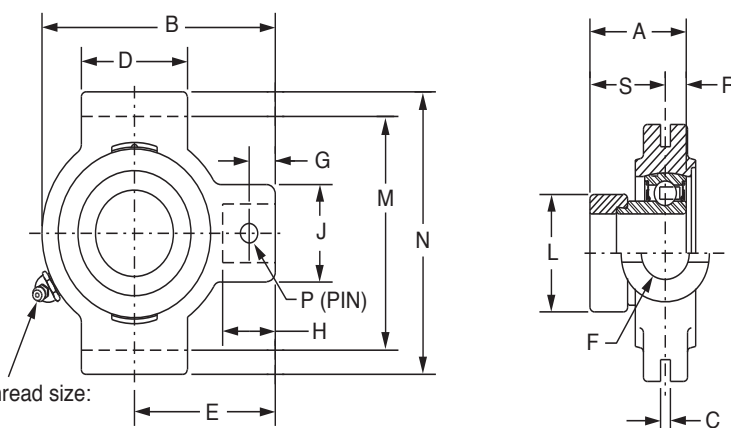
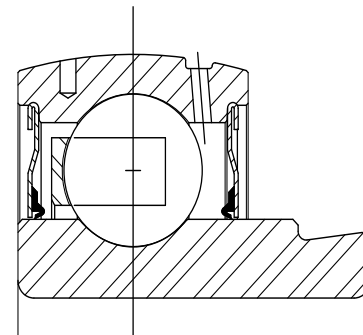




# SELECTION/DIMENSIONS

## Eccentric SXV Collar Ball Bearings SXV INTERMEDIATE DUTY NARROW SLOT TAKE-UP BEARINGS



Lube fitting thread size:  
1/8-27 NPT

Series	Shaft Size	Standard	
		Part No.	Description
204	3/4	<b>131186</b>	NSTU-SXV-012
205	7/8	<b>131187</b>	NSTU-SXV-014
	15/16	<b>131188</b>	NSTU-SXV-015
	1	<b>131189</b>	NSTU-SXV-100
206	1-1/16	<b>131190</b>	NSTU-SXV-101
	1-1/8	<b>131191</b>	NSTU-SXV-102
	1-3/16	<b>131192</b>	NSTU-SXV-103
	1-1/4	<b>131193</b>	NSTU-SXV-104S
207	1-1/4	<b>131194</b>	NSTU-SXV-104
	1-5/16	<b>131195</b>	NSTU-SXV-105
	1-3/8	<b>131196</b>	NSTU-SXV-106
	1-7/16	<b>131197</b>	NSTU-SXV-107
208	1-1/2	<b>131198</b>	NSTU-SXV-108
209	1-11/16	<b>130340</b>	NSTU-SXV-111
	1-3/4	<b>130341</b>	NSTU-SXV-112
210	1-15/16	<b>130342</b>	NSTU-SXV-115
	2	<b>130343</b>	NSTU-SXV-200
	2	<b>130344</b>	NSTU-SXV-200L
211	2-3/16	<b>130345</b>	NSTU-SXV-203

FEATURES/BENEFITS  
PAGE B9-2

SELECTION  
PAGE B9-6

HOW TO ORDER/NOMENCLATURE  
PAGE B7-5

MODIFICATIONS/ACCESSORIES  
PAGE B9-36

Eccentric Collar Ball Bearings  
 Setscrew VSC Ball Bearing  
 Eccentric SXV Collar Ball Bearing  
 Take-Up Frames  
 Engineering  
 Part Number Index  
 Keyword Index

# SELECTION/DIMENSIONS



## Eccentric SXV Collar Ball Bearings SXV INTERMEDIATE DUTY NARROW SLOT TAKE-UP BEARINGS

Eccentric Collar Ball Bearing

Setscrew VSC Ball Bearing

Eccentric SXV Collar Ball Bearing

Take-Up Frames

Engineering

Part Number Index

Keyword Index

Series	Shaft Size	Weight lbs	Take-Up Frame Size	A	B	C	D	E	F Screw Dia.	G	H	J	L	M	N	P Pin Dia.	R	S
204	3/4	1.3	NS210	1.22	3.50	0.250	1.50	2.19	3/4	0.44	0.88	1.38	1.31	2.635/2.605	3.13	0.32	0.30	0.92
205	7/8	1.7	NS210	1.22	3.56	0.250	1.50	2.19	3/4	0.44	0.88	1.38	1.50	2.635/2.605	3.13	0.32	0.30	0.92
	15/16	1.6																
206	1	1.5	NS308	1.41	4.31	0.250	2.50	2.69	3/4	0.50	0.94	1.38	1.75	3.510/3.480	4.13	0.32	0.35	1.05
	1-1/16	2.9																
	1-1/8	2.8																
	1-3/16	2.6																
207	1-1/4	2.5	NS308	1.53	4.50	0.250	2.50	2.69	3/4	0.50	0.94	1.38	2.13	3.510/3.480	4.13	0.32	0.37	1.16
	1-1/4	2.8																
	1-5/16	2.7																
	1-3/8	2.6																
208	1-7/16	2.5	NS400	1.72	5.38	0.313	3.00	3.25	7/8	0.66	1.16	1.63	2.38	4.015/3.985	4.75	0.38	0.43	1.28
	1-1/2	4.7																
209	1-11/16	4.8	NS400	1.69	5.44	0.313	3.00	3.25	7/8	0.72	1.22	1.63	2.50	4.015/3.985	4.75	0.38	0.43	1.26
	1-3/4	4.7																
210	1-15/16	4.9	NS400	1.72	5.50	0.313	3.00	3.25	7/8	0.59	1.09	1.63	2.75	4.015/3.985	4.75	0.38	0.43	1.29
	2	4.8																
211	2	6.8	NS407	1.90	6.13	0.313	3.50	3.63	1	0.69	1.28	1.75	3.00	4.448/4.418	5.38	0.44	0.47	1.43
	2-3/16	6.8																

FEATURES/BENEFITS PAGE B9-2	SELECTION PAGE B9-6	HOW TO ORDER/NOMENCLATURE PAGE B7-5	MODIFICATIONS/ACCESSORIES PAGE B9-36
--------------------------------	------------------------	--	---